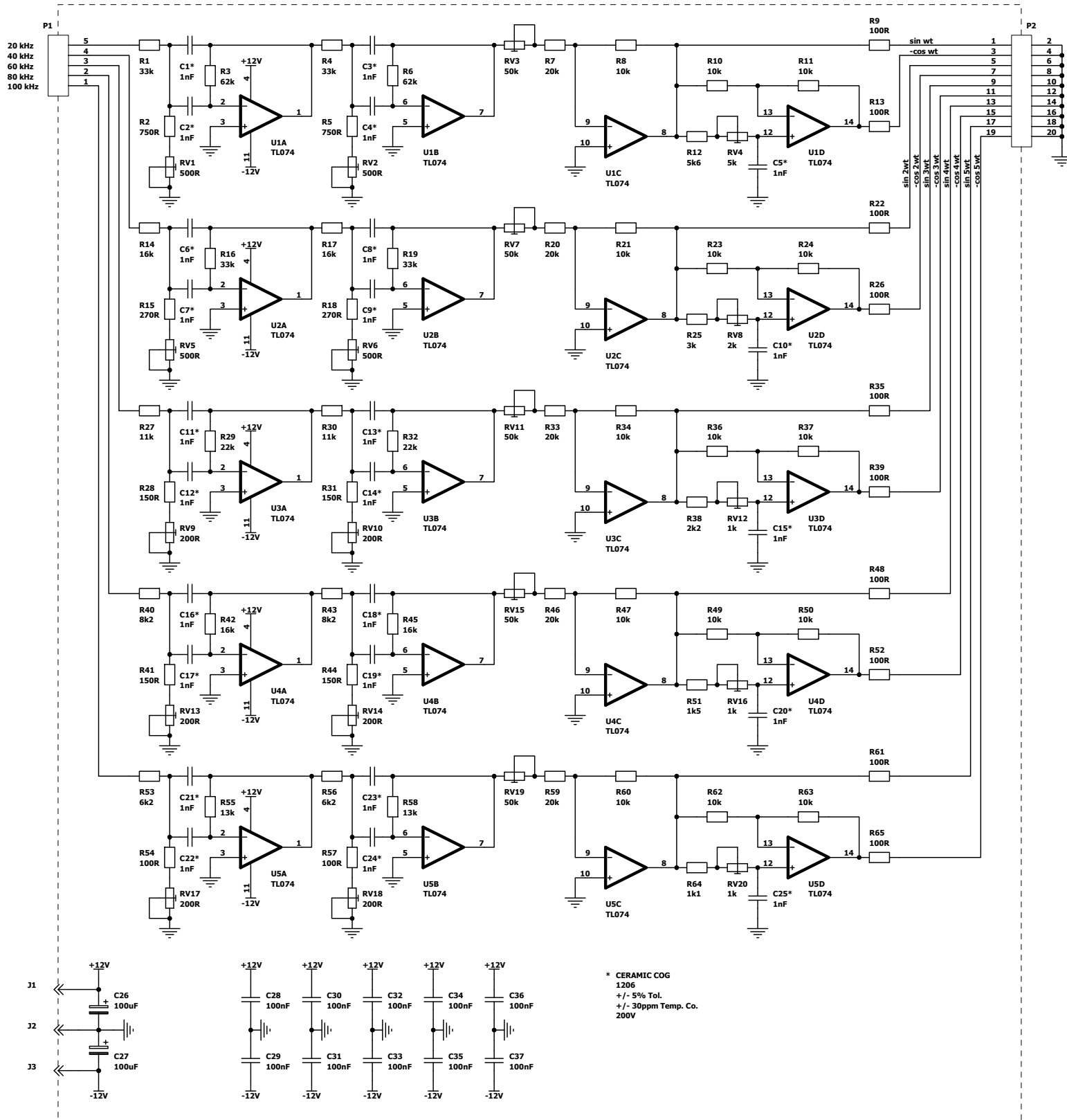


FOURIER SYNTHESIS CHARACTER GENERATOR

SINE & COSINE FILTER BOARD

GLEN KLEINSCHMIDT DECEMBER 2013



* CERAMIC COG
1206
+/- 5% Tol.
+/- 30ppm Temp. Co.
200V